

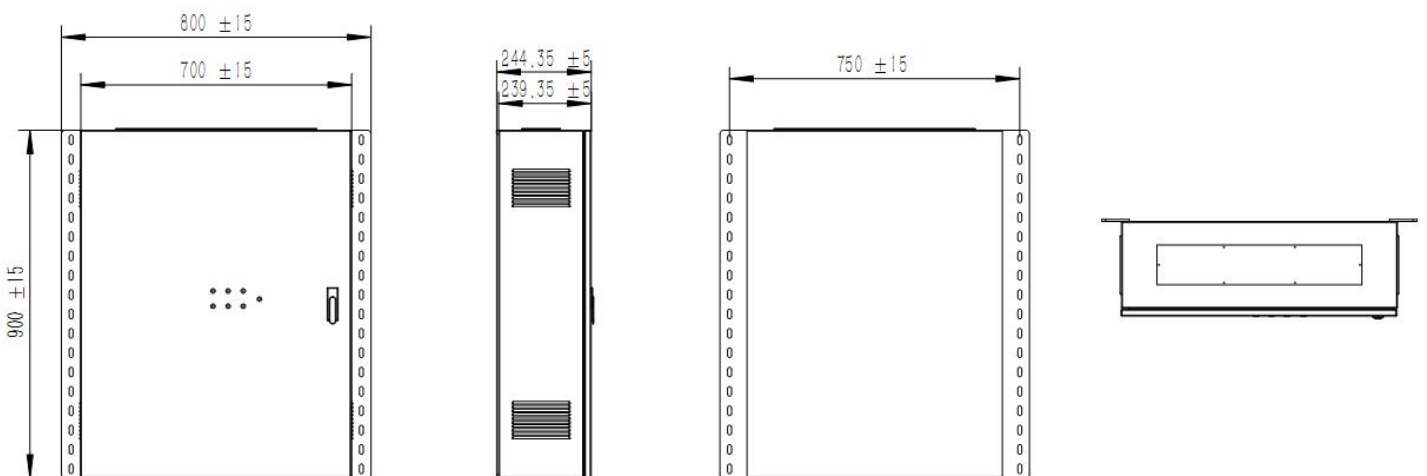
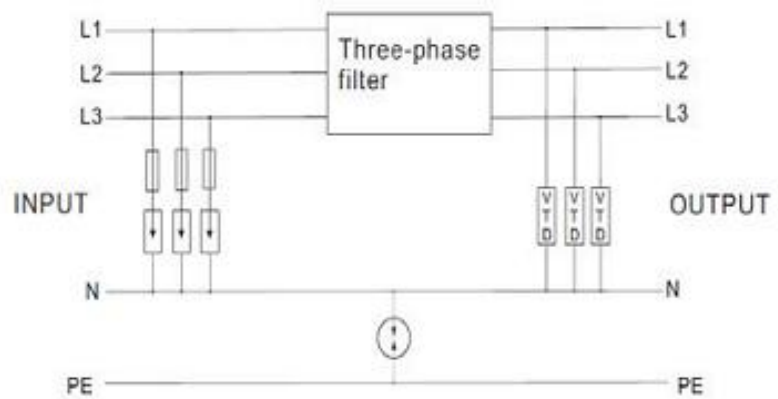
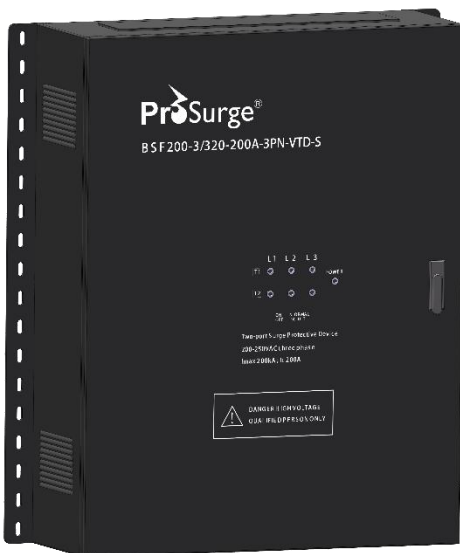
POWER SUPPLY

Three phase 200A, 400A, 800A surge filter

■Type 1+2 ■2-Port SPD ■200A~800A filter

BSF Series, BSF200-3/...-400A-3PN-VTD-S

- Multi-stage protection circuit with LC Filter design to protect sensitive electronics.
- Provides extensive high frequency & RF filtering
- Prosurge TSG+VTD technology to improve voltage clamping performance
- Application for TT, TN or any 3-phase system with a grounded neutral
- Protection capability 50 kA 10/350 us or 200kA 8/20 us
- Rated Load current from 200A to 800A, Built-in backup fuse for over- current protection (optional)
- All mode protection,3+1 protection circuit for TN-S and TT network systems
- LED failure indication & remote alarm function available
- Surge counter optional
- Comply with UL1449 4th, IEEE C62.41, CSA C22.2,IEC/EN 61643-11
- The model of rated Load current 800A is available.



POWER SUPPLY

Model		BSF200-3/180-400A-3PN-VTD-S	BSF200-3/320-400A-3PN-VTD-S	
According to		IEC61643-11; UL1449-4th; IEC610006; ANSI/IEEE C62.41; AS1768-1991;AS3100		
Category IEC/EN/UL		Class I+II/ Type 1+2 / Type 2		
Protection Mode		All mode protection		
Protection technology		TSG(primary)+ VTD(Secondary) tech, GDT Tech, LC filter, Thermal disconnecter, Built in backup fuse		
Power system	Un	120/208 to 127/220Vac Three phase (TN/TT)	220/380 to 277/480Vac Three phase (TN/TT)	
Max. continuous operating voltage (AC/DC)	Uc	180/230V	320/420V	
Rated load Current	I _i	400A		
Nominal discharge current/ In	In	50kA (8/20us)		
Primary surge protection rating	L-N	I _{imp} :50kA (10/350us), I _{max} :150kA (8/20us)		
	N-PE	I _{imp} :100kA (10/350us), I _{max} :200kA(8/20us)		
Secondary surge protection rating	L-N	I _{max}	50kA(8/20us)	
Total surge capacity per phase		I _{max}	200kA (8/20us)	
Voltage protection level Up	L-N@6kV/3kA	VPR	<0.4kV	<0.5kV
	L-N@ In(50kA, 8/20)	Up	<0.8kV	< 1.0kV
	N-PE@1.2/50	Up	< 1.0kV	< 1.5kV
Residual Current	I _{PE}	<0.1mA		
Voltage drop:		< 2V at 400A(800A) load		
Temporary overvoltage TOV —Withstand mode	U _{tov}	230V/120min	440VAC/120min	
Response time	T _a	≤1ns		
Filter attenuation	dB	>48dB @ 1MHz		
Built in backup over-current protection (fuse in primary stage)		315A gL/gG (optional)		
Recommended external over current protection in series		400A Fuse or CB		
Lightning counter Current		≤ 3kA		
Protect Status Indication		4 LED display, Normal (Blue), Protection fault(Off)		
Remote alarm		Dry contact alarm relay – 250Vac/32Vdc, 5A		
Connecting cable		Power 4/0AWG(400A), Alarm 14 -22AWG,		
Environment		Temperature Range: - 40°C ~ +70°C Humidity: ≤95% Altitude: ≤2000m		
Mounting		Wall mounting		
Location Category		Indoor		
Degree of protection		IP20		
Dimension		900mm (L) x760mm (W) x 245mm (H) approx		
Weight		82kg approx		
Approvals, Certification		CE		

POWER SUPPLY

Other Models

Power System	Load Current	Model Recommended	Recommended External Over Current Protection In Series	Built In Backup Over-Current Protection (Fuse In Primary Stage)
TN/TT three phase 4W+G	200A	BSF200-3/...-200A-3PN-VTD-S	200A CB/Fuse	125A gL/gG
	300A	BSF200-3/...-250A-3PN-VTD-S	300A CB/Fuse	200A gL/gG
	400A	BSF200-3/...-315A-3PN-VTD-S	400A CB/Fuse	250A gL/gG
	600A	BSF200-3/...-630A-3PN-VTD-S	600A CB/Fuse	315A gL/gG
	800A	BSF200-3/...-800A-3PN-VTD-S	800A CB/Fuse	315A gL/gG